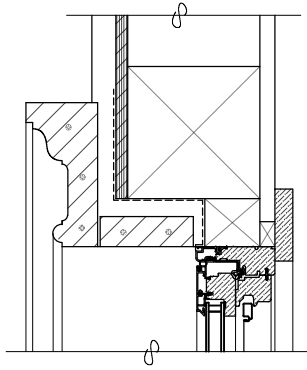
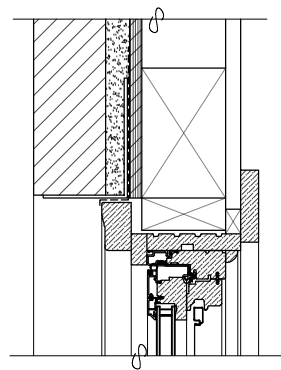


2 X 6 STUD WALLS



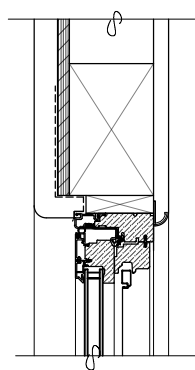
HEAD/JAMB:
ARCHITRAVE

2 X 4 STUD WALLS



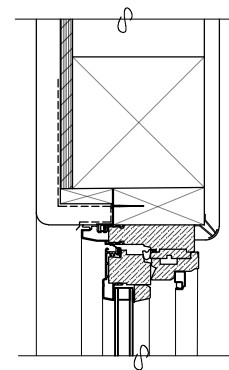
HEAD/JAMB:
BRICK/ STONE VENEER

2 X 4 STUD WALLS

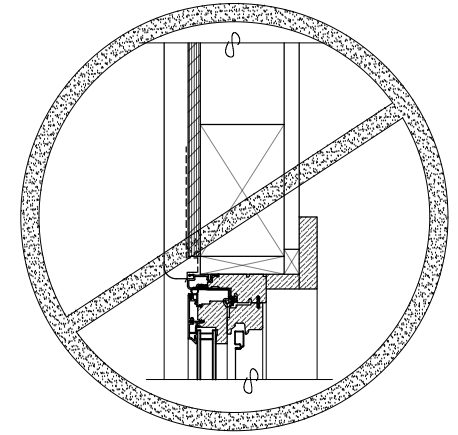


HEAD/JAMB:
BULLNOSE

2 X 6 STUD WALLS

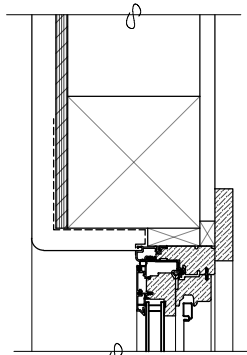


HEAD/JAMB:
BULLNOSE

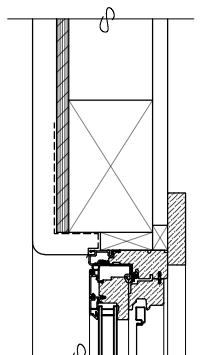


UNACCEPTABLE INSTALLATION

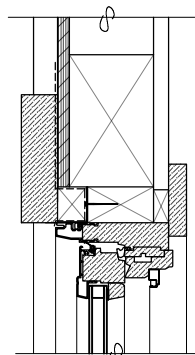
WINDOW FRAMES SHALL BE SET
TO THE INSIDE FACE OF WALL



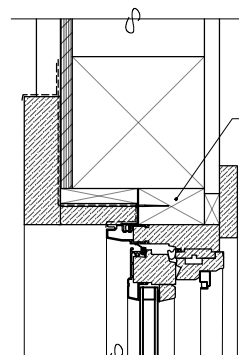
HEAD/JAMB:
BULLNOSE



HEAD/JAMB:
BULLNOSE

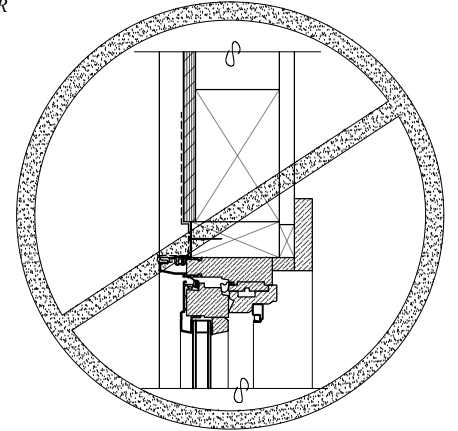


HEAD/JAMB:
WOOD TRIM



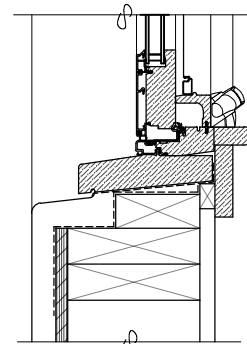
HEAD/JAMB:
WOOD TRIM

BLOCK FOR
NAIL FIN

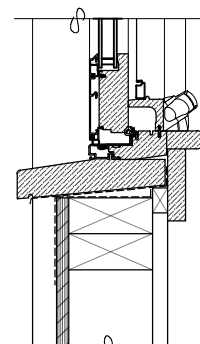


UNACCEPTABLE INSTALLATION

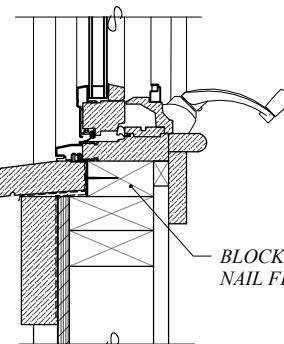
WINDOW FRAMES SHALL BE SET
TO THE INSIDE FACE OF WALL



WOOD SILL:
BULLNOSE

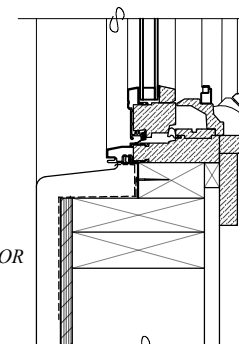


WOOD SILL:
STUCCO



WOOD SILL:
WOOD TRIM

BLOCK FOR
NAIL FIN



SILL:
BULLNOSE

IMPORTANT NOTES:

1. ALL NEW EXTERIOR WALLS SHALL BE MINIMUM 2X 6 STUD WALLS
2. FRAMES TO BE SET TO THE INSIDE FACE OF THE WALL.
3. WINDOW SHALL HAVE TRUE DIVIDED LITES OR SIMULA DIVIDED LITES. MUNTIN BARS SHALL NOT BE REMOVABLE
4. ALL DOOR/WINDOW HEAD, JAMB AND SILL DETAILS SHALL BE DRAWN AND CROSS-REFERENCED TO THE EXTERIOR ELEVATION FOR EACH DIFFERENT CONDITION. DOORS/WINDOWS IN EXISTING WALLS MUST MATCH EXISTING.
4. REFER TO DOOR AND WINDOW APPLICATION FOR MORE INFORMATION.

EXAMPLES OF WINDOW DETAILS